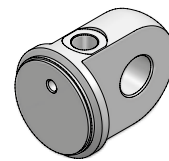
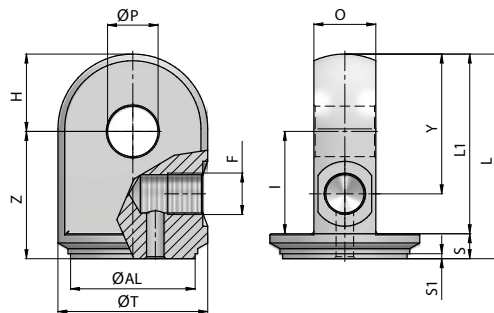


Zylinderboden D

250 bar



Artikel-Nr.	ØAL	ØT	ØP	Z	H	O	F BSP	Y	I	S	S1	L	L1	kg
901246	40	50	16.20	46	19	24.8	1/4"	39	36	10	2	65	55	0,55
901247	50	60	20.25	51	31	24.8	3/8"	56	41	10	2	82	72	0,84
901250	60	70	25.25	57	33	24.8	3/8"	63	45	12	2	90	78	1,14
901249	70	80	25.25	65	42	39.5	3/8"	82	53	12	2	107	95	2,24

Material : Stahl S355J0 (Fe510C) - S355JR (A105)