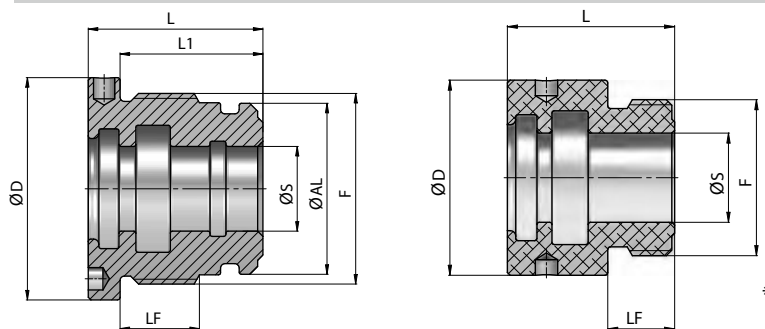
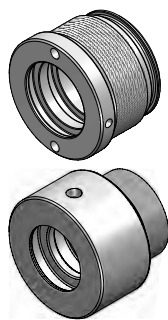


Kolbenstangführung

250 bar

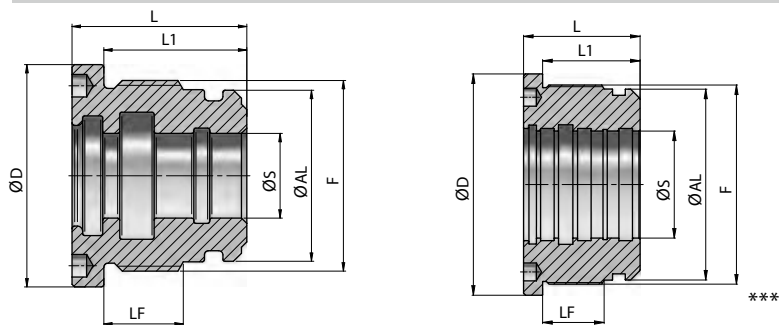


Artikel-Nr.	ØAL	ØS	ØD	F	LF	L	L1	kg		Dichtsatz
*901664	25	16	35	M28x1.5	12	30	-	0,04		698512
*901000	30	16	40	M34x1.5	15	33	27	0,05		698513
*900643	32	16	42	M36x1.5	15	33	27	0,06		
901001	32	20	"	"	"	"	"	0,12		698515
901002	35	20	44	M39x1.5	19	40	32	0,21		698520
901003	35	22	"	"	"	"	"	0,18		698521
901004	40	20	49	M44x1.5	19	40	32	0,30		698522
901005	40	22	"	"	"	"	"	0,27		698526
901006	40	25	"	"	"	"	"	0,24		698527
901007	40	28	"	"	"	"	"	0,20		698528
900644	45	22	54	M49x1.5	19	40	32	0,37		
901008	45	25	"	"	"	"	"	0,34		698529
901665	50	20	59	M54x1.5	22	43	35	0,55		698530
901009	50	25	"	"	"	"	"	0,48		698532
902713	50	28	"	"	"	"	"	0,45		
901010	50	30	"	"	"	"	"	0,41		698533
906203	50	32	"	"	"	"	"	0,38		693783
900645	50	35	"	"	"	"	"	0,34		
**902393	50	35	"	"	17	38	30	0,29		692868
901666	55	25	64	M60x1.5	21	43	35	0,63		698536
901011	55	30	"	"	"	"	"	0,56		698537
901012	55	35	"	"	"	"	"	0,47		698538
901667	60	25	69	M64x1.5	27	50	40	0,91		698541
901013	60	30	"	"	"	"	"	0,83		698543
901014	60	35	"	"	"	"	"	0,72		698544
901015	60	40	"	"	"	"	"	0,62		698546
902714	60	45	"	"	"	"	"	0,48		693836
901016	63	30	73	M68x1.5	25	50	40	0,96		698547
906204	63	32	"	"	"	"	"	0,92		693761
901017	63	35	"	"	"	"	"	0,86		698550
900646	63	36	"	"	"	"	"	0,85		
901018	63	40	"	"	"	"	"	0,76		698553
902715	63	45	"	"	"	"	"	0,61		
901019	65	30	74	M69x1.5	25	50	40	1,00		698555
901020	65	35	"	"	"	"	"	0,90		698557
901021	65	40	"	"	"	"	"	0,80		698559
902394	65	45	"	"	"	"	"	0,67		692869
901668	70	25	79	M74x1.5	27	50	40	1,29		698567
901025	70	30	"	"	"	"	"	1,21		698568
901026	70	35	"	"	"	"	"	1,11		698572
901027	70	40	"	"	"	"	"	0,98		698573
901669	70	45	"	"	"	"	"	0,86		698575
901670	70	50	"	"	"	"	"	0,72		698576
901028	75	30	89	M80x2	33	60	50	1,79		698578
901029	75	35	"	"	"	"	"	1,66		698580
901030	75	40	"	"	"	"	"	1,51		698582
901031	75	45	"	"	"	"	"	1,37		698595
901709	80	30	94	M85x2	33	60	50	2,06		698603
901032	80	35	"	"	"	"	"	1,93		698604

** nicht geeignet für "STL" Standard

Kolbenstangführung

250 bar



Artikel-Nr.	ØAL	ØS	ØD	F	LF	L	L1	kg		Dichtsatz
901033	80	40	94	M85x2	33	60	50	1,78		698605
901034	80	45	"	"	"	"	"	1,64		698608
901035	80	50	"	"	"	"	"	1,47		698613
901287	80	55	"	"	"	"	"	1,28		692870
901672	80	60	"	"	"	"	"	1,05		698619
901036	85	35	99	M90x2	33	60	50	2,20		698621
901037	85	40	"	"	"	"	"	2,05		698623
901038	85	45	"	"	"	"	"	1,90		698624
901039	85	50	"	"	"	"	"	1,73		698627
901040	90	40	104	M95x2	33	60	50	2,35		698629
901041	90	45	"	"	"	"	"	2,22		698631
901042	90	50	"	"	"	"	"	2,04		698639
901043	90	60	"	"	"	"	"	1,62		698671
901044	100	40	114	M105x2	51	82	70	4,21		698672
901045	100	45	"	"	51	82	70	4,02		693678
901046	100	50	"	"	"	"	"	3,79		698676
900646	100	55	"	"	51	82	70	3,54		
901047	100	60	"	"	"	"	"	3,23		698679
900648	100	63	"	"	51	82	70	3,04		
901289	100	70	"	"	51	82	70	2,55		698681
901048	110	45	124	M115x2	41	72	60	4,40		698683
901049	110	50	"	"	"	"	"	4,20		698689
901050	110	60	"	"	51	82	70	4,24		698691
901051	110	70	"	"	"	"	"	3,56		698693
901673	120	50	139	M125x2	49	82	70	5,99		698703
901052	120	60	"	"	"	"	"	5,43		698708
901053	120	70	"	"	"	"	"	4,70		698711
900649	120	80	"	"	"	"	"	4,03		
901054	125	60	144	M130x2	59	92	80	6,76		698712
901055	125	70	"	"	"	"	"	5,96		698713
906201	125	80	"	"	"	"	"	5,21		693766
906202	125	90	"	"	"	"	"	4,21		693717
901056	140	70	159	M145x2	59	92	80	8,10		698714
901057	140	80	"	"	"	"	"	7,35		698715
901058	150	70	169	M155x2	69	102	90	10,75		698716
901059	150	80	"	"	"	"	"	9,91		698717
901060	160	80	179	M165x2	69	102	90	11,76		698718
901061	160	90	"	"	"	"	"	10,67		698719
***901300	180	100	210	M188x2.5	58	110	92	14,88		693821
***901301	180	120	"	"	"	"	"	11,97		692890
***901302	200	100	218	M208x2.5	58	110	92	19,34		692891
***901303	200	120	"	"	"	"	"	16,43		692892
***901304	250	120	268	M258x2.5	80	135	117	37,94		692893
***901305	250	150	"	"	"	"	"	31,31		692894

Material : Hydraulikguss EN-GJL 250 (G25-UNI 5007/EN 1561)

* = Aluminium UNI 2011-115