

This document must not be copied, either completely or in part, without permission. Any infringement will have legal consequences ©

D

C

B

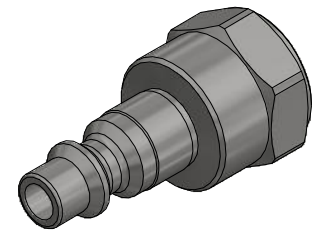
A

D

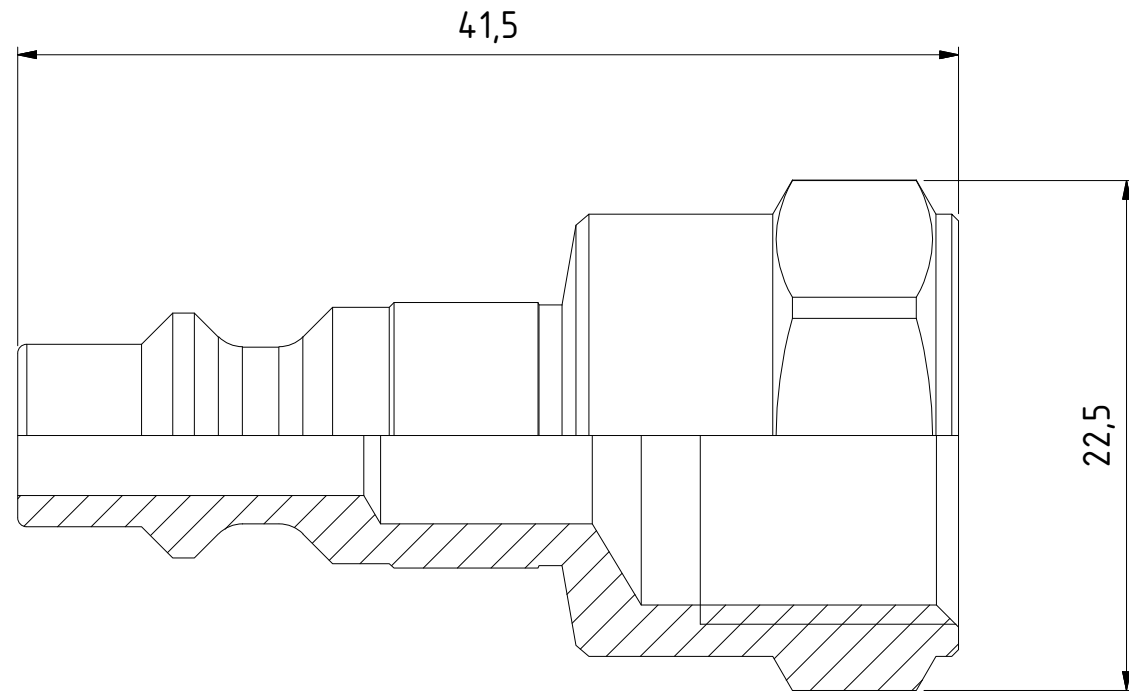
C

B


A



1 : 1



Product No.	103105204
Nominal flow Ø DN:	5,3 mm
Connection Stroke:	- mm
Max WP Connected:	16 bar
Min BP Connected:	140 bar
Temperature range:	-20°C - +100°C
Connection:	G 3/8" Fem
Sealing material:	
Hexagon:	20

1	1	Nipple	Hard. Steel FeZn 8 P1	093106324
Item	Qty	Description	Material	Part Number
		Scale: 3 : 1	Drawn: CABLHE	Checked: PGU
		Appr.: JOOL		ECO: 11715
		Date: 2017-05-29		
			Drawing No. 503105204	
Assembly Drawing			Issue: AB Sheet: 1 / (1)	



A3

6

5

4

3

2

1

6

5

4

3

2

1