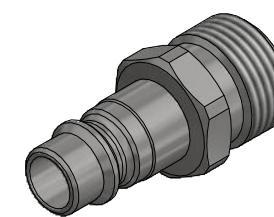
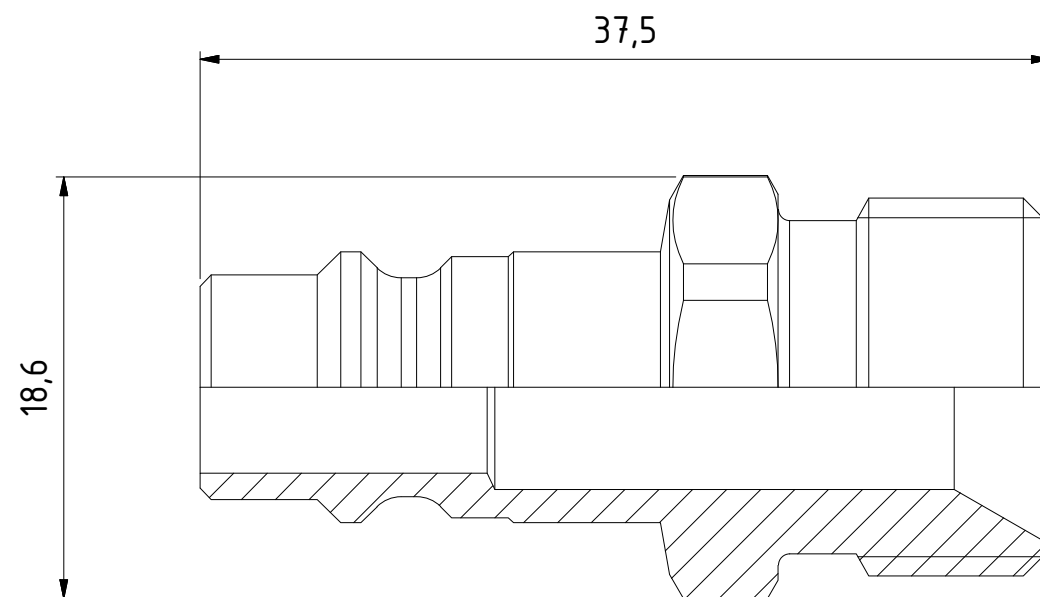



This document must not be copied, either completely or in part, without permission. Any infringement will have legal consequences ©



1 : 1



Product No.	103205264
Nominal flow Ø DN:	7,6 mm
Connection Stroke:	- mm
Max WP Connected:	16 bar
Min BP Connected:	- bar
Temperature range:	-20°C - 100°C
Connection:	G 3/8" Male
Sealing material:	
Hexagon:	17

1	1	Nipple	Hard. Steel Ni5b Cr r	093206424
Item	Qty	Description	Material	Part Number
		Scale 3 : 1	Drawn CABLHE	Checked PGU
		Appr. JOOL		Date 2018-08-28
			Drawing No. 503205264	
Assembly Drawing			Issue AC	Sheet 1 / (1)

