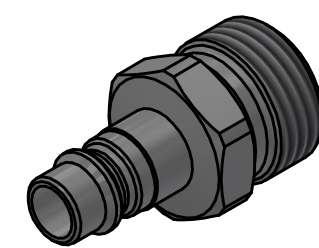
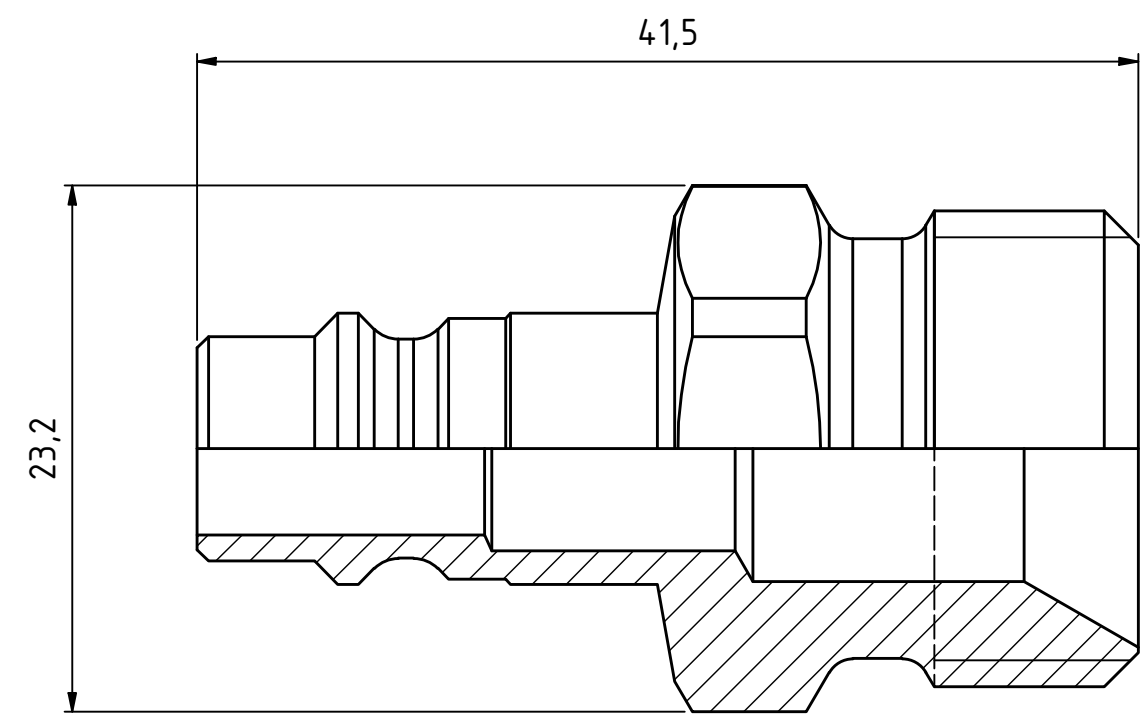



This document must not be copied, either completely or in part, without permission. Any infringement will have legal consequences ©



1 : 1



Product No.	103205265
Nominal flow Ø DN:	7,6 mm
Connection Stroke:	- mm
Max WP Connected:	16 bar
Min BP Connected:	- bar
Temperature range:	-20°C - 100°C
Connection:	G 1/2" Male
Sealing material:	
Hexagon:	21

1	1	Nipple	Hard. Steel Ni5b Cr r	093206425
Item	Qty	Description	Material	Part Number
		Scale: 3 : 1	Drawn: CABLHE	Checked: PGU
		Appr.: JOOL		Date: 2017-04-18
			Drawing No. 103205265	
Assembly Drawing			Issue: B	Sheet: 1 / (1)

