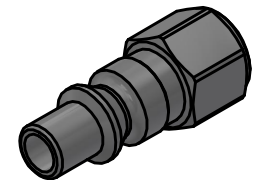
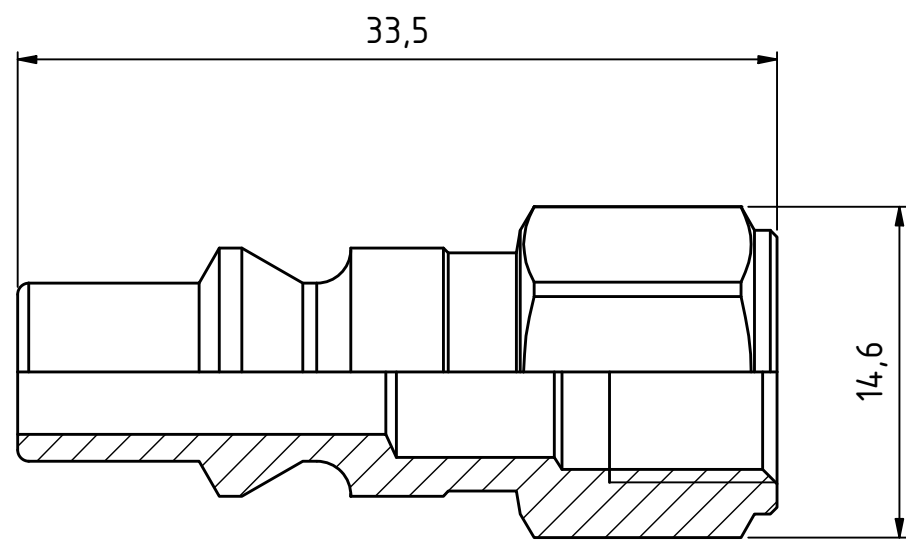



This document must not be copied, either completely or in part, without permission. Any infringement will have legal consequences ©



1 : 1

Product No.	103005201
Nominal flow \varnothing DN:	5.5 mm
Connection Stroke:	mm
Max WP Connected:	16 bar
Min BP Connected:	140 bar
Temperature range:	-20°C - +100°C
Connection:	G 1/8" Fem
Sealing material:	
Hexagon:	13

1	1	Nipple	Hard. Steel FeZn 8 P1	093006321
Item	Qty	Description	Material	Part Number
		Scale 3 : 1	Drawn CABLHE	Checked PGU
		Appr. JOOL	ECO 11760	Date 2017-07-07
			Drawing No. 103005201	
Assembly Drawing			Issue B	Sheet 1 / (1)

