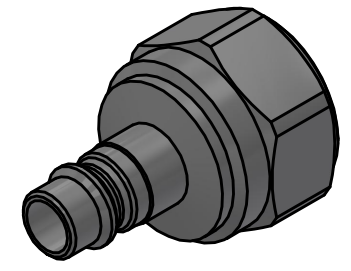
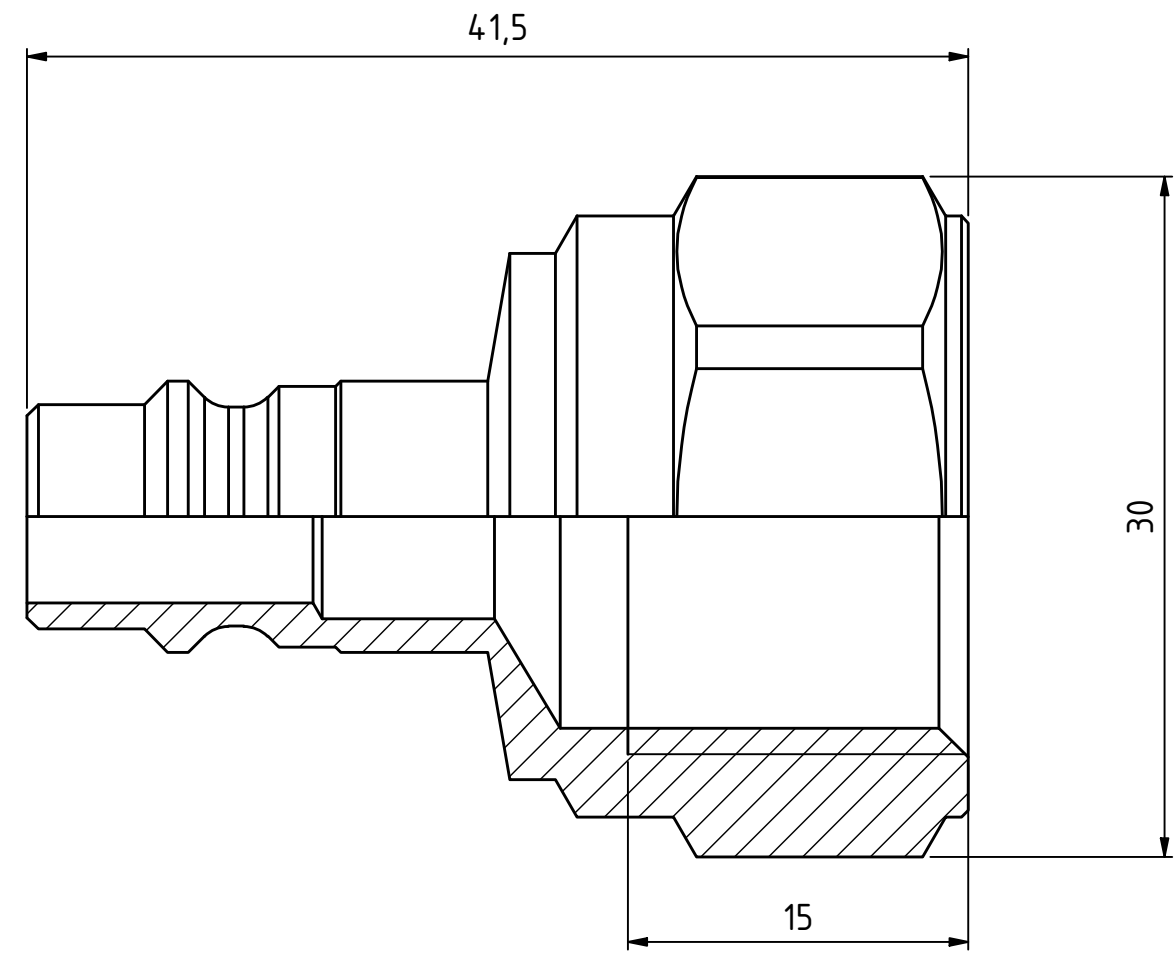


This document must not be copied, either completely or in part, without permission. Any infringement will have legal consequences ©



1 : 1

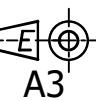


Product No.	103205205
Nominal flow Ø DN:	7,6 mm
Connection Stroke:	mm
Max WP Connected:	16 bar
Min BP Connected:	140 bar
Temperature range:	-20°C - +100°C
Connection:	G 1/2" Fem
Sealing material:	
Hexagon:	27

1	1	Nipple	Hard. Steel FeZn 8 P1	093206325
Item	Qty	Description	Material	Part Number
		Scale 3 : 1	Drawn CABLHE	Checked PGU
		Appr. JOOL		Date 2017-04-18
Drawing No. 103205205			Issue B	Sheet 1/(1)



Assembly Drawing 103205205



A

A

6

5

4

3

2

1

D

D

C

C

B

B

6

5

4

3

2

1