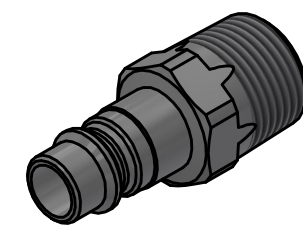
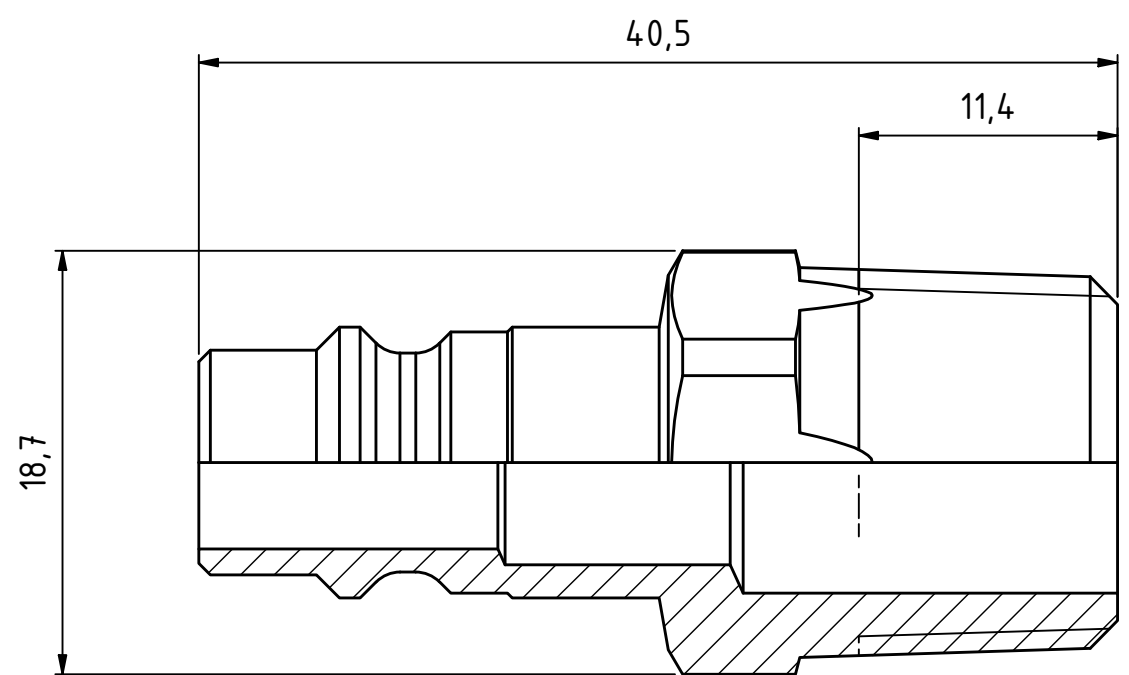



This document must not be copied, either completely or in part, without permission. Any infringement will have legal consequences ©



1 : 1



Product No.	103205154
Nominal flow Ø DN:	7.6 mm
Connection Stroke:	- mm
Max WP Connected:	16 bar
Min BP Connected:	140 bar
Temperature range:	-20°C - +100°C
Connection:	R 3/8" Male
Sealing material:	
Hexagon:	17

1	1	Nipple	Hard. Steel FeZn 8 P1	093206414
Item	Qty	Description	Material	Part Number
		Scale: 3 : 1	Drawn: CABLHE	Checked: PGU
		Appr.: JOOL		Date: 2017-04-18
			Drawing No. 103205154	
Assembly Drawing			Issue: B	Sheet: 1 / (1)

