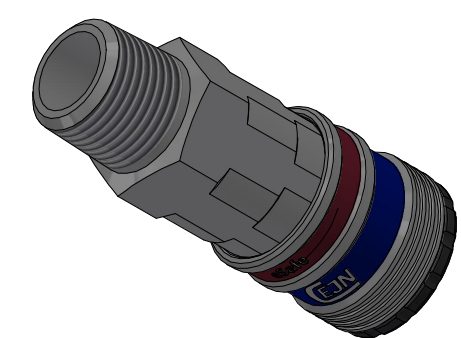
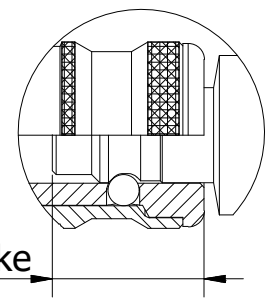
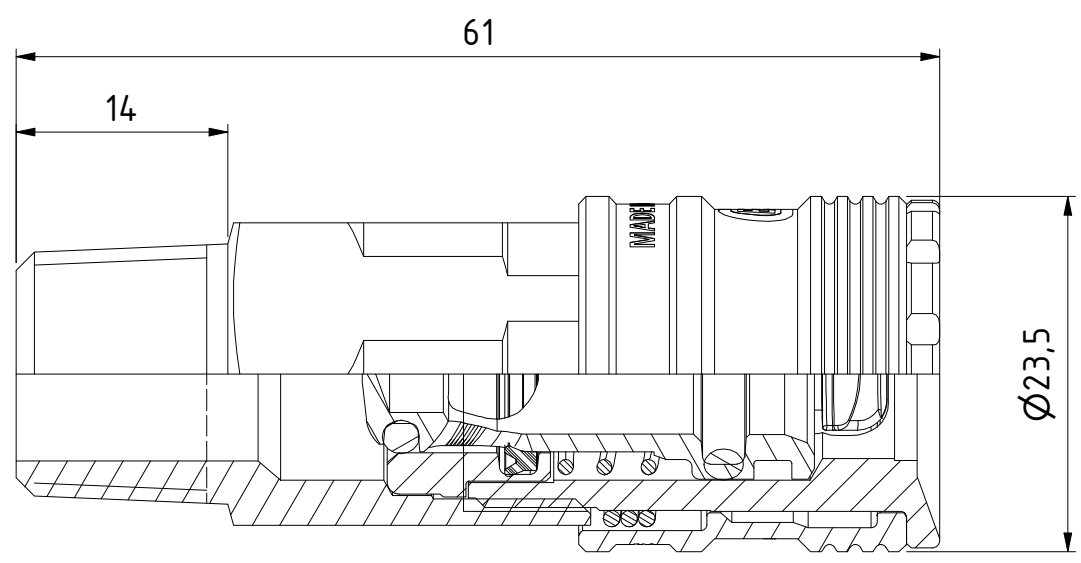


This document must not be copied, either completely or in part, without permission. Any infringement will have legal consequences ©



1 : 1



Connection stroke

11	1	Spring	Stainless steel
10	1	Spring	Stainless steel
9	1	Back part	Steel, Zn 8 Silver
8	1	Lip seal	NBR
7	1	Valve seat	Aluminium Lead Free
6	1	O-ring	NBR
5	1	O-ring	NBR
4	1	Valve	Aluminium Lead Free
3	1	Locking sleeve	Hard. steel, Zn 8 Silver
2	2	Hook	Hard. Steel, Zn-Ni 8 transp.
1	1	Front part	Hard. Steel, Zn-Ni 10 black

Item	Qty	Description	Material
State		Production	2025-01-14
Drawn		CABLIJA	OSJO
Checked		ALAL	Former No.
Approved		OSJO	Scale
Date		2025-01-14	2 : 1
ECO		002136	Former No.
Drawing No.		103002154	Issue
			Sheet
			B 1 / (1)

Product No.	103002154
Nominal flow Ø DN:	5,5 mm
Connection Stroke:	21,8 mm
Max WP Connected:	16 bar
Min BP Connected:	140 bar
Temperature range:	-20°C - +100°C
Connection:	R 3/8" Male
Sealing material:	NBR
Hexagon:	20



Coupling R 3/8" male NBR - eSafe

