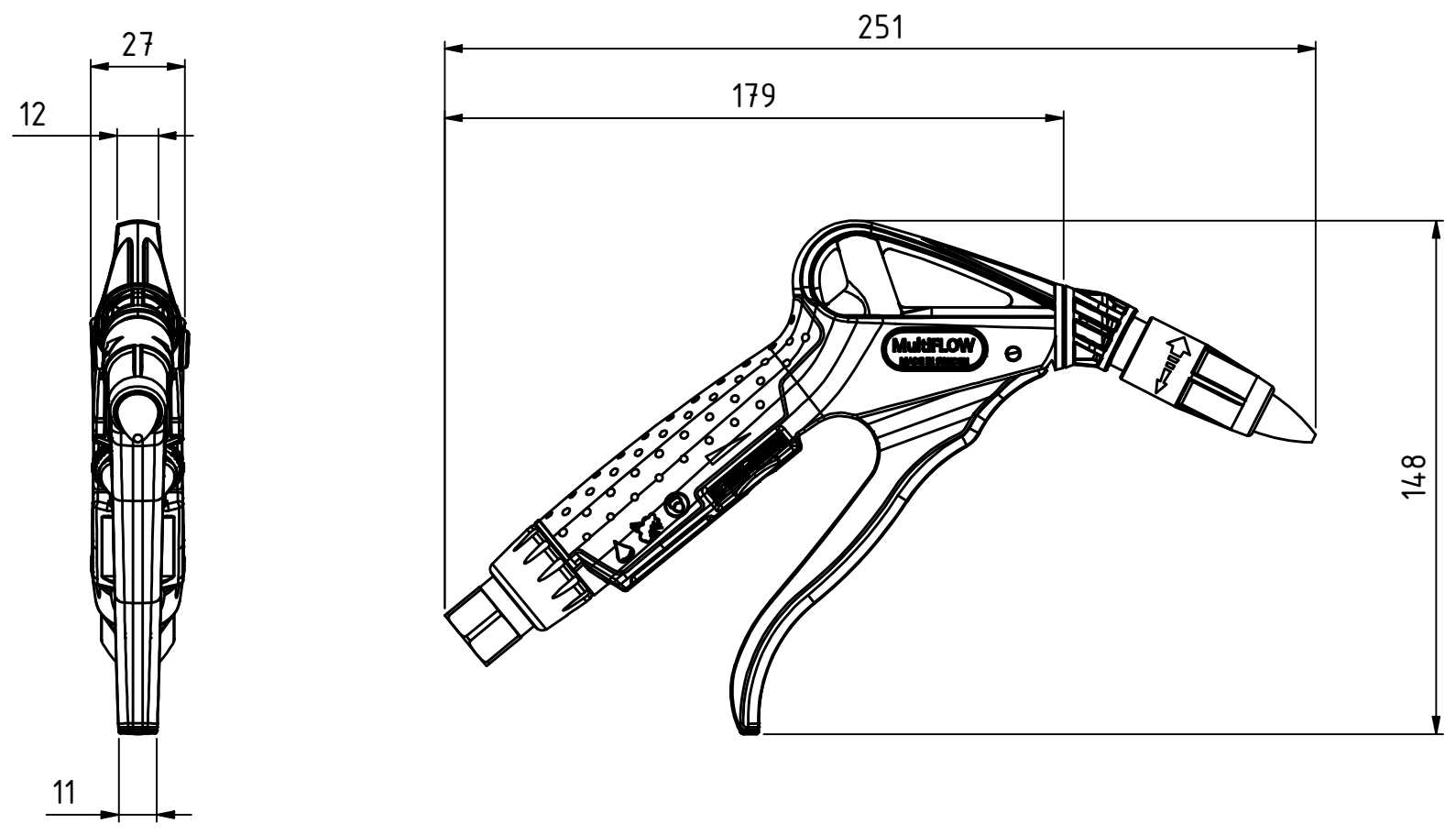


This document must not be copied, either completely or in part, without permission. Any infringement will have legal consequences ©



22	1	O-ring	NBR
21	1	O-ring	NBR
20	1	Lip seal	NBR
19	1	Valve	Plastic
18	1	O-ring	NBR
17	1	Nozzle thread	Brass, plated
16	1	Nozzle sleeve	Plastic
15	1	Nozzle	Aluminium
14	1	Nozzle adapter	Plastic
13	1	O-ring	NBR
12	1	Label	Plastic
11	1	Spring	Stainless steel
10	1	O-ring	NBR
9	1	Screw	Steel
8	1	Valve	Plastic
7	1	Guide bushing	Plastic
6	1	Wheel	Plastic
5	1	Spacer	Plastic
4	1	Valve ball	Plastic
3	1	Adapter	Steel, Zn 8 P1/N
2	1	Handle	Plastic
1	1	Body	Plastic
Item	Qty	Description	Material

△ AB

Product No.	112100450
Nominal flow Ø DN:	mm
Connection Stroke:	mm
Max WP Connected:	16 bar
Min BP Connected:	64 bar
Temperature range:	-20°C - +60°C@16 bar WP,+80°C@10 bar WP
Connection:	1/4" NPT female
Sealing material:	NBR
Hexagon:	

	Scale	1 : 2	Drawn	CABANLA	Checked	CABLHE	Appr.	CABJOOL	ECO	Date	2017-11-10
	Assembly Drawing 112100450								Issue	B	Sheet

A3