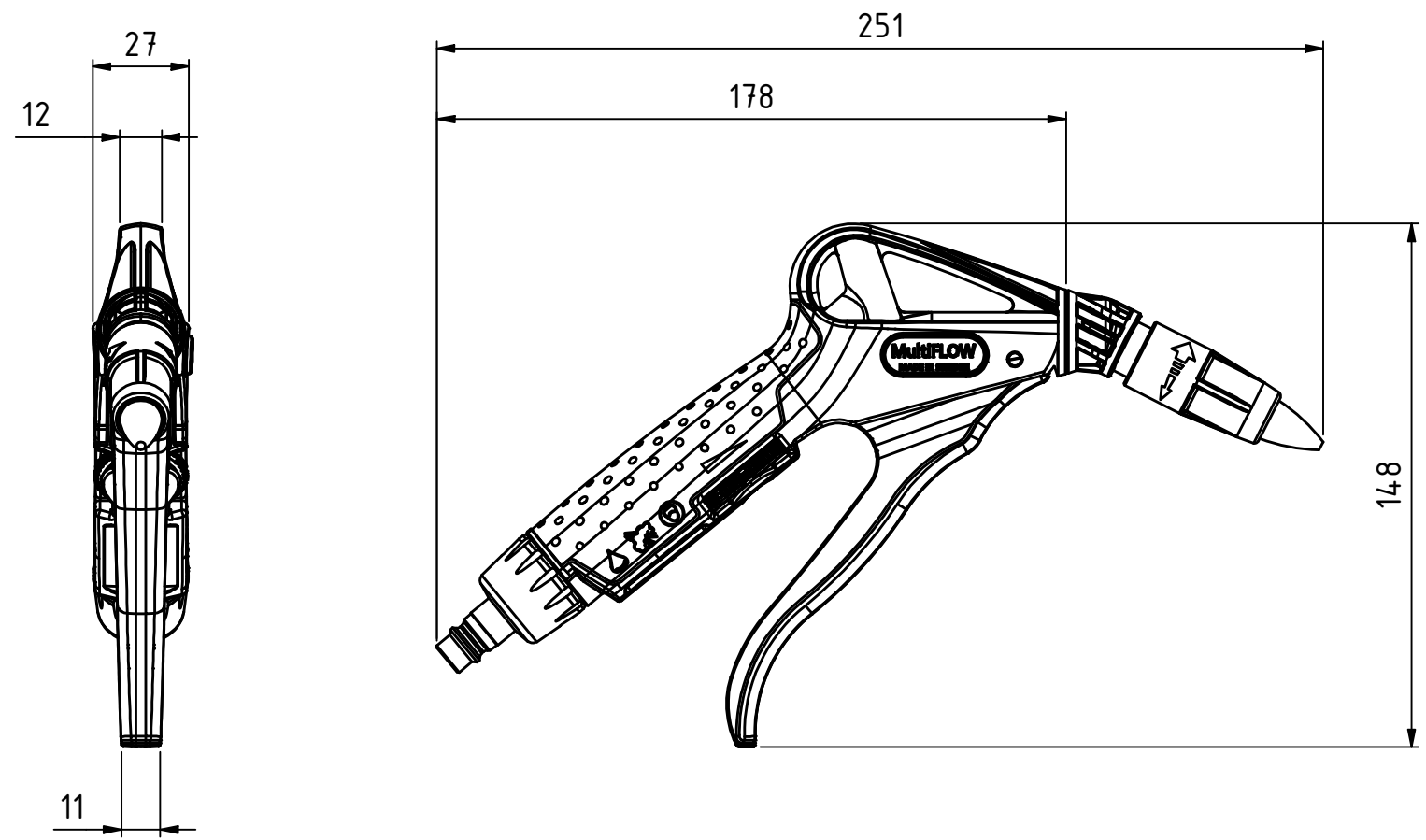
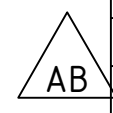


This document must not be copied, either completely or in part, without permission. Any infringement will have legal consequences ©



22	1	O-ring	NBR
21	1	O-ring	NBR
20	1	Nozzle thread	Brass, plated
19	1	Nozzle sleeve	Plastic
18	1	Nozzle	Aluminium
17	1	Nozzle adapter	Plastic
16	1	O-ring	NBR
15	1	O-ring	NBR
14	1	Label	Plastic
13	1	Spring	Stainless steel
12	1	Lip seal	NBR
11	1	O-ring	NBR
10	1	Valve	Plastic
9	1	Screw	Steel
8	1	Valve	Plastic
7	1	Guide bushing	Plastic
6	1	Wheel	Plastic
5	1	Spacer	Plastic
4	1	Valve ball	Plastic
3	1	Nipple	Steel, Zn8 silver
2	1	Handle	Plastic
1	1	Body	Plastic
Item	Qty	Description	Material



Product No.	112100400
Nominal flow \varnothing DN:	mm
Connection Stroke:	mm
Max WP Connected:	16 bar
Min BP Connected:	64 bar
Temperature range:	-20°C - +60°C@16 bar WP,+80°C@10 bar WP
Connection:	320 nipple
Sealing material:	NBR
Hexagon:	

	Scale	1 : 2	Drawn	CABANLA	Checked	CABLHE	Appr.	CABJOOL	ECO	Date	2017-11-10
	Assembly Drawing 112100400								Issue	B	Sheet

