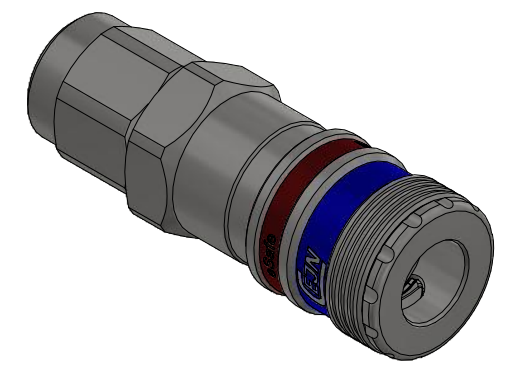
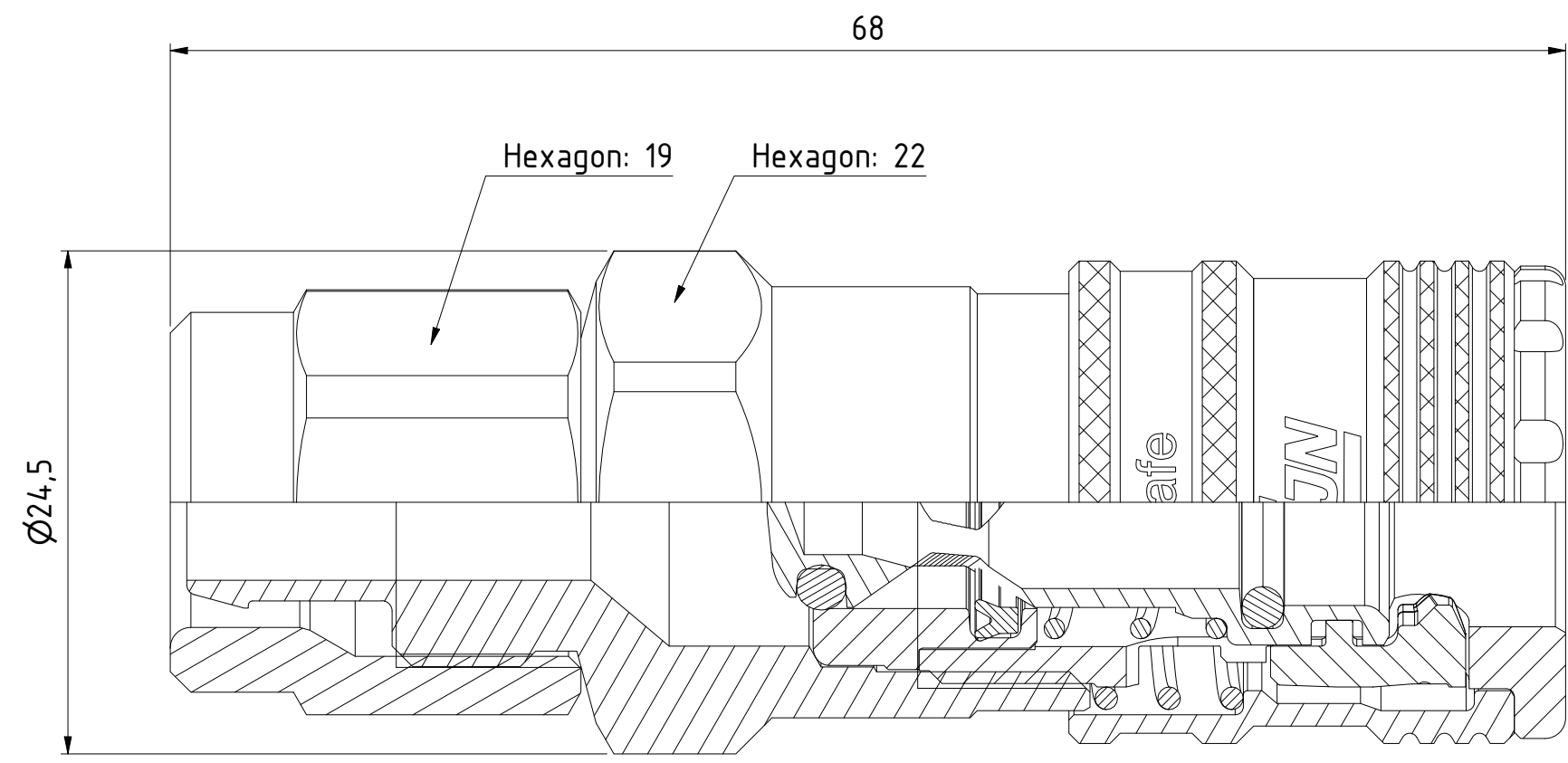
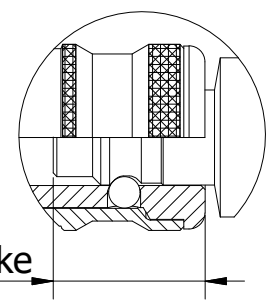


This document must not be copied, either completely or in part, without permission. Any infringement will have legal consequences ©

A3



1 : 1



Connection stroke

| | |
|--------------------|---------------------------------|
| Product No. | 103262062 |
| Nominal flow Ø DN: | 7,6 mm |
| Connection Stroke: | 19,2 mm |
| Max WP Connected: | 16 bar w. CEJN braided PUR hose |
| Min BP Connected: | 64 bar w. CEJN braided PUR hose |
| Temperature range: | -20°C - +100°C |
| Connection: | Stream-Line 8x12 |
| Sealing material: | NBR |
| Hexagon: | See drawing |

| Item | Qty | Description | Material |
|------|-----|----------------|------------------|
| 12 | 1 | Swivel nut | Acid-proof steel |
| 11 | 1 | Spring | Acid-proof steel |
| 10 | 1 | Spring | Acid-proof steel |
| 9 | 1 | Back part 8x12 | Acid-proof steel |
| 8 | 1 | Lip seal | NBR |
| 7 | 1 | Valve seat | Acid-proof steel |
| 6 | 1 | O-ring | NBR |
| 5 | 1 | O-ring | NBR |
| 4 | 1 | Valve | Acid-proof steel |
| 3 | 1 | Locking sleeve | Acid-proof steel |
| 2 | 2 | Hook | Acid-proof steel |
| 1 | 1 | Front part | Acid-proof steel |

| | | | | | | | | | | | | | |
|-----------------------------------|-------|-------|---------|---------|------|-------|------|-----|-------|-------|------------|-------|---------|
| Scale | 3 : 1 | Drawn | CABANLA | Checked | JOTU | Appr. | JOOL | ECO | 12833 | Date | 2020-03-17 | | |
| Assembly Drawing 503262062 | | | | | | | | | | Issue | AD | Sheet | 1 / (1) |