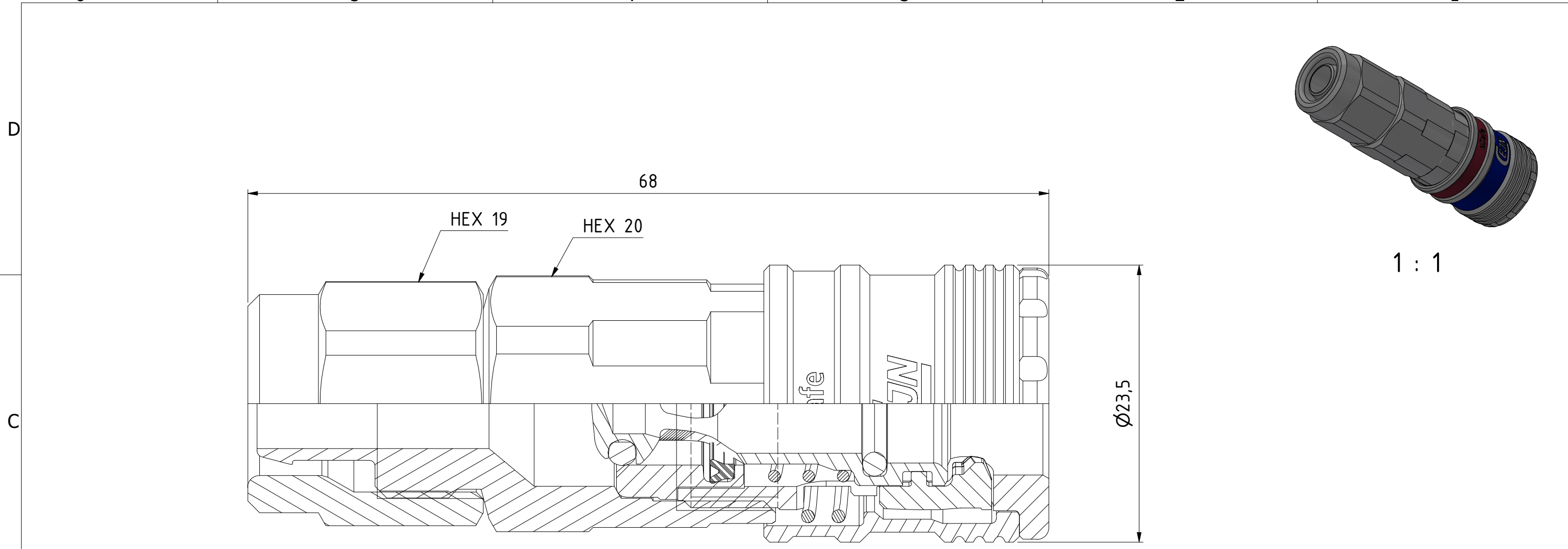
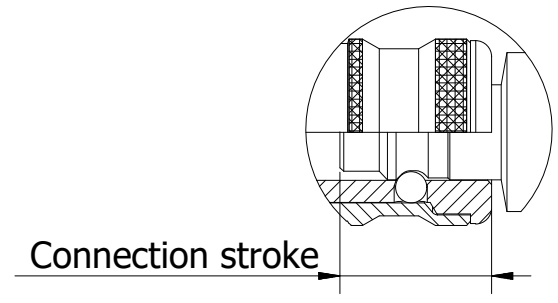


This document must not be copied, either completely or in part, without permission. Any infringement will have legal consequences ©



Product No.	103202062
Nominal flow Ø DN:	7,6 mm
Connection Stroke:	19,2 mm
Max WP Connected:	16 bar w. CEJN braided PUR hose
Min BP Connected:	64 bar w. CEJN braided PUR hose
Temperature range:	-20°C - +100°C
Connection:	Stream-Line 8x12
Sealing material:	NBR
Hexagon:	See drawing



E	12	1	Valve seat	Aluminium Lead Free
	11	1	Valve	Aluminium Lead Free
	10	1	Spring	Stainless steel
	9	1	Spring	Stainless steel
	8	1	Lip seal	NBR
	7	1	O-ring	NBR
	6	1	O-ring	NBR
	5	1	Locking sleeve	Hard. steel, Zn 8 Silver
	4	2	Hook	Hard. Steel, Zn-Ni 8 transp.
	3	1	Front part	Hard. Steel, Zn 8 silver
2	1	Swivel nut 8x12	Steel, Zn 8 Silver	
1	1	Back part 8x12	Steel, Zn 8 Silver	

Item	Qty	Description	Material			
State		Production	Drawn	Checked	Approved	Date
			CABALAL	LIJA	OSJO	2025-01-30
ECO		002136	Former No.		Scale	3 : 1
Drawing No.		103202062			Issue	Sheet
					E	1 / (1)



Coupling Stream-Line 8 x 12
mm NBR - eSafe