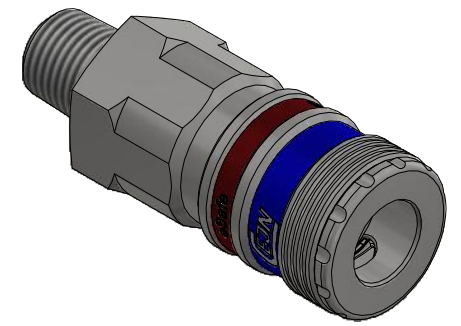
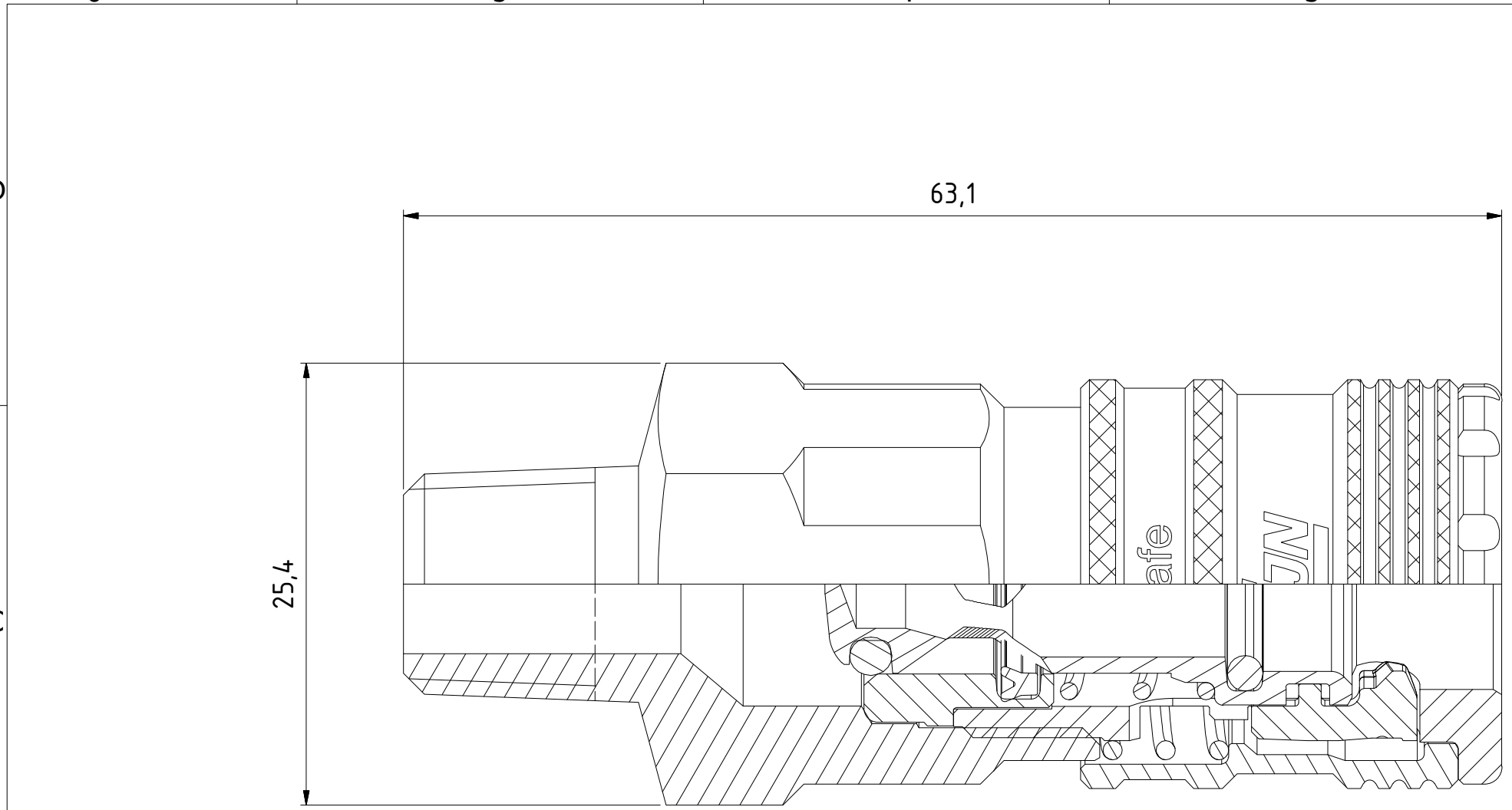


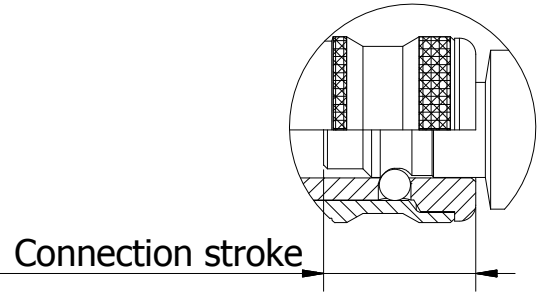
This document must not be copied, either completely or in part, without permission. Any infringement will have legal consequences ©

A3



1 : 1

Product No.	103262152
Nominal flow Ø DN:	7,6 mm
Connection Stroke:	19,2 mm
Max WP Connected:	16 bar
Min BP Connected:	140 bar
Temperature range:	-20°C - +100°C
Connection:	R 1/4" male
Sealing material:	NBR
Hexagon:	22



11	1	Spring	Acid-proof steel
10	1	Spring	Acid-proof steel
9	1	Back part	Acid-proof steel
8	1	Lip seal	NBR
7	1	Valve seat	Acid-proof steel
6	1	O-ring	NBR
5	1	O-ring	NBR
4	1	Valve	Acid-proof steel
3	1	Locking sleeve	Acid-proof steel
2	2	Hook	Acid-proof steel
1	1	Front part	Acid-proof steel
Item	Qty	Description	Material

	Scale	3 : 1	Drawn	CABJOTU	Checked	ANLA	Appr.	JOOL	ECO	Date	2018-04-23
	Assembly Drawing 503262152								Issue	AA	Sheet