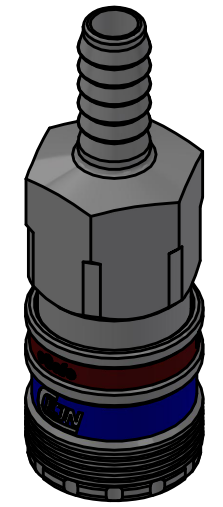
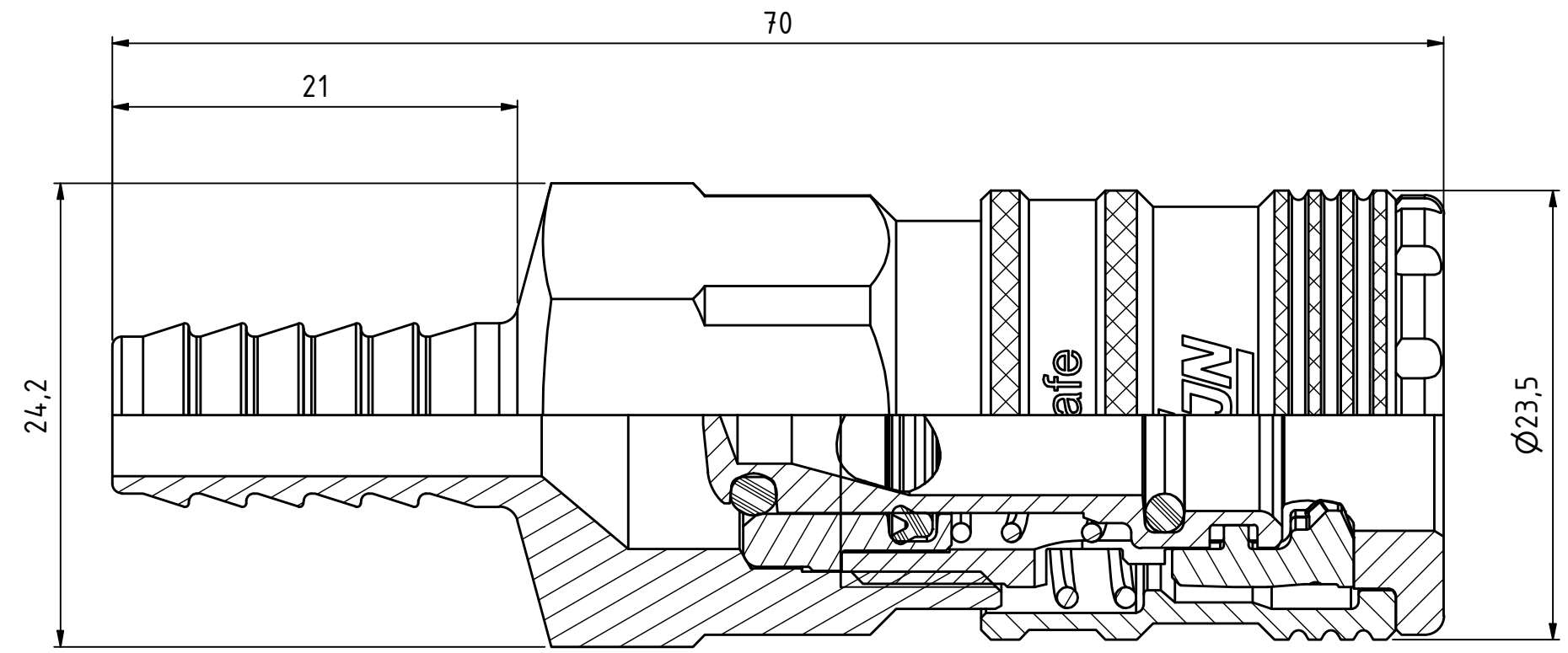
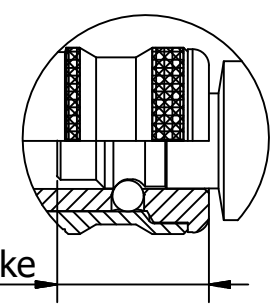


This document must not be copied, either completely or in part, without permission. Any infringement will have legal consequences ©




1 : 1

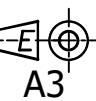
Product No.	103262043
Nominal flow $\varnothing$ DN:	6,4 mm
Connection Stroke:	19,2 mm
Max WP Connected:	16 bar
Min BP Connected:	140 bar
Temperature range:	-20°C - +100°C
Connection:	5/16" Hose
Sealing material:	NBR/EPDM
Hexagon:	21



Connection stroke

Item	Qty	Description	Material
11	1	Back part Hose 5/16"	Stainless steel
10	1	Lip seal	HNBR FDA-APPROVED
9	1	O-ring	EPDM FDA-APPROVED
8	1	Spring	Acid-proof steel
7	1	Valve seat	Acid-proof steel
6	1	O-ring	EPDM 70° FDA
5	1	Valve	Acid-proof steel
4	1	Spring	Acid-proof steel
3	1	Locking sleeve	Acid-proof steel
2	2	Hook	Acid-proof steel
1	1	Front part	Acid-proof steel

State	Production	Drawn	CABLHE	Checked	ANLA	Approved	JOOL	Date	2024-02-04
		Coupling 5/16" hose			ECO	001847	Former No.	Scale	3 : 1
		NBR/EPDM - FDA - eSafe			Drawing No.		Issue		Sheet
					103262043		A		1 / (1)



A3