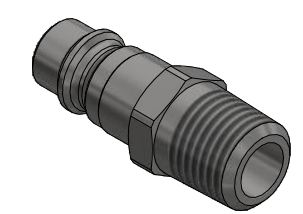
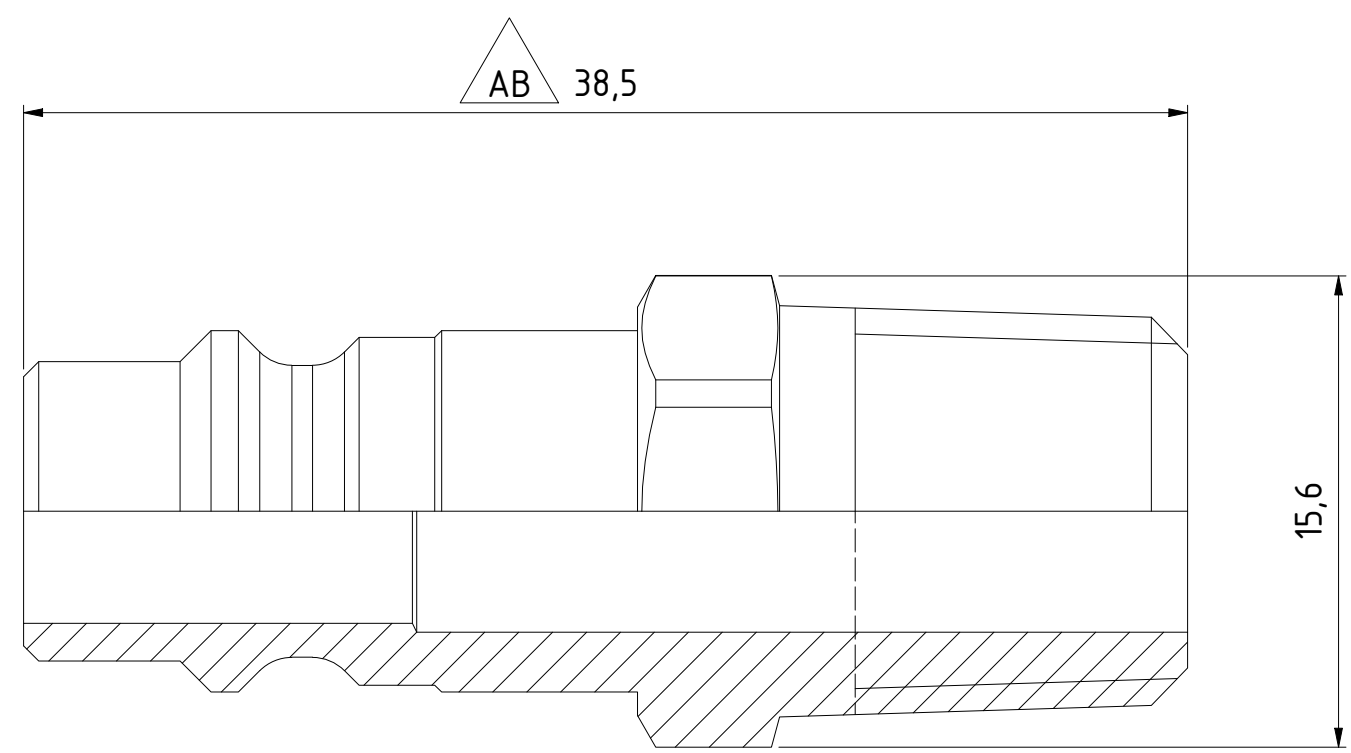



This document must not be copied, either completely or in part, without permission. Any infringement will have legal consequences ©



1 : 1



Product No.	103265152
Nominal flow Ø DN:	7,4 mm
Connection Stroke:	mm
Max WP Connected:	70 bar
Min BP Connected:	280 bar
Temperature range:	-20°C - +100°C
Connection:	R 1/4" Male
Sealing material:	
Hexagon:	14

1	1	Nipple	Acid-proof steel	093266412
Item	Qty	Description	Material	Part Number
		Scale: 4 : 1	Drawn: CABLHE	Checked: JOTU
		Appr.: JOOL		ECO: 000606
		Date: 2020-05-19		
			Drawing No. 503265152	
<b>Assembly Drawing</b>			Issue: AB	Sheet: 1 / (1)

