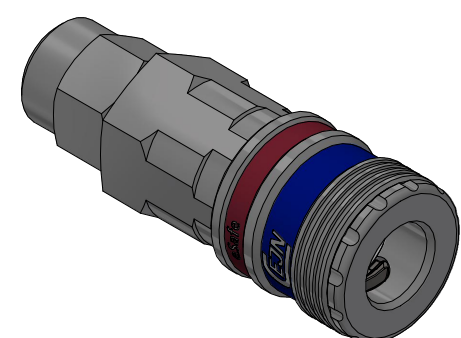
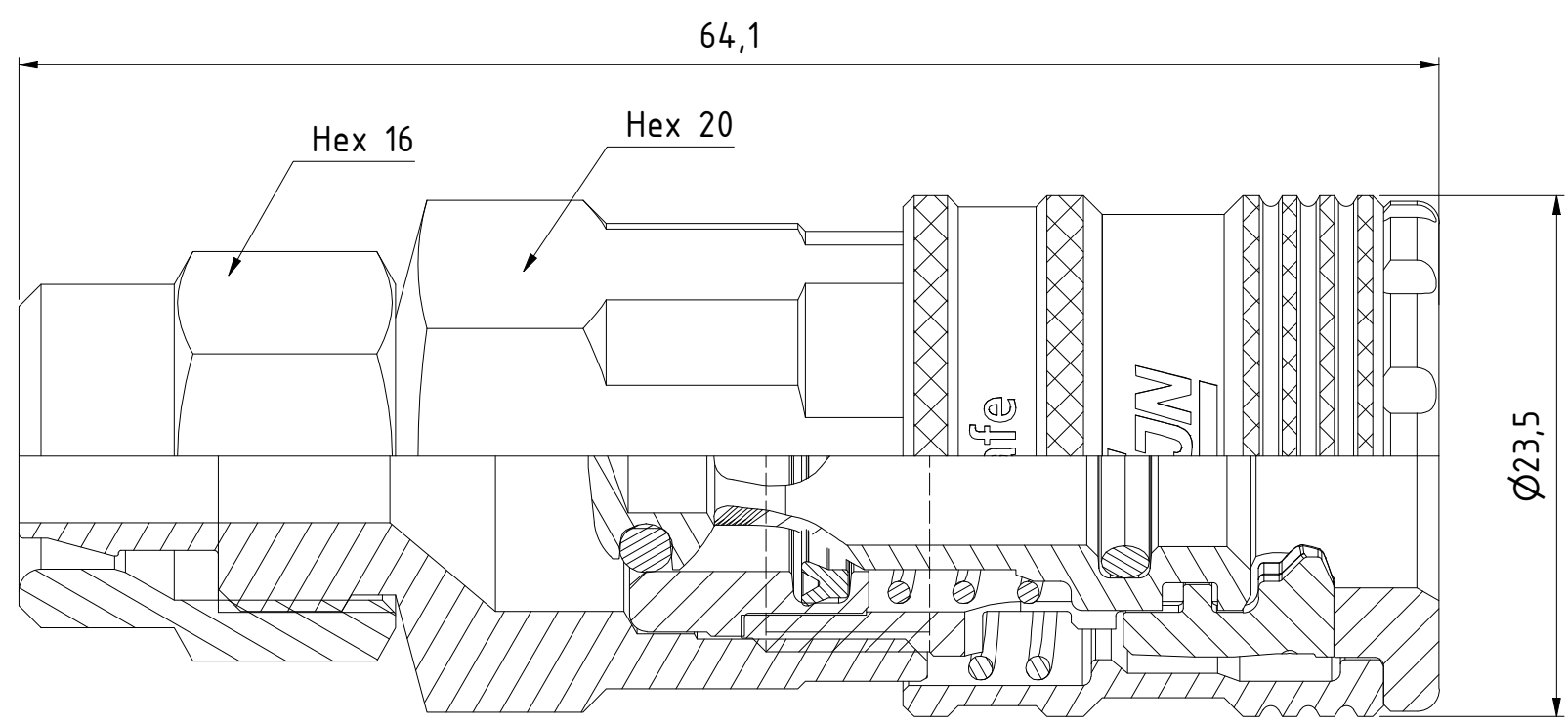


This document must not be copied, either completely or in part, without permission. Any infringement will have legal consequences ©



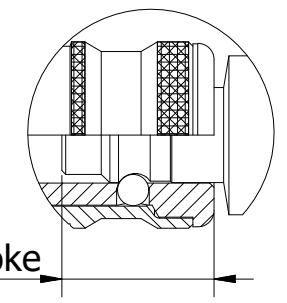
1 : 1



12	1	Swivel nut	Steel, Zn 8 Silver
11	1	Spring	Stainless steel
10	1	Spring	Stainless steel
9	1	Back part	Steel, Zn 8 Silver
8	1	Lip seal	NBR
7	1	Valve seat	Aluminium Lead Free
6	1	O-ring	NBR
5	1	O-ring	NBR
4	1	Valve	Aluminum Lead Free
3	1	Locking sleeve	Hard. steel, Zn 8 Silver
2	2	Hook	Hard. Steel, Zn-Ni 8 transp.
1	1	Front part	Hard. Steel, Zn 8 Silver

Item	Qty	Description	Material
State		Production	
Drawn		CABALAL	
Checked		LIJA	
Approved		OSJO	
Date		2025-01-17	
ECO		002136	Scale
Former No.			3 : 1
Drawing No.		103102060	
Issue		C	Sheet
		1 / (1)	

Product No.	103102060
Nominal flow \varnothing DN:	5,3 mm
Connection Stroke:	19,5 mm
Max WP Connected:	16 bar w. CEJN braided PUR hose
Min BP Connected:	64 bar w. CEJN braided PUR hose
Temperature range:	-20°C - +100°C
Connection:	Stream-Line 6.5x10
Sealing material:	NBR
Hexagon:	See drawing



Connection stroke

A3