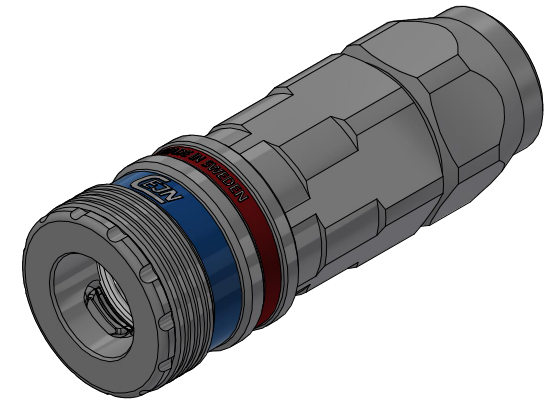
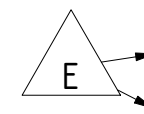
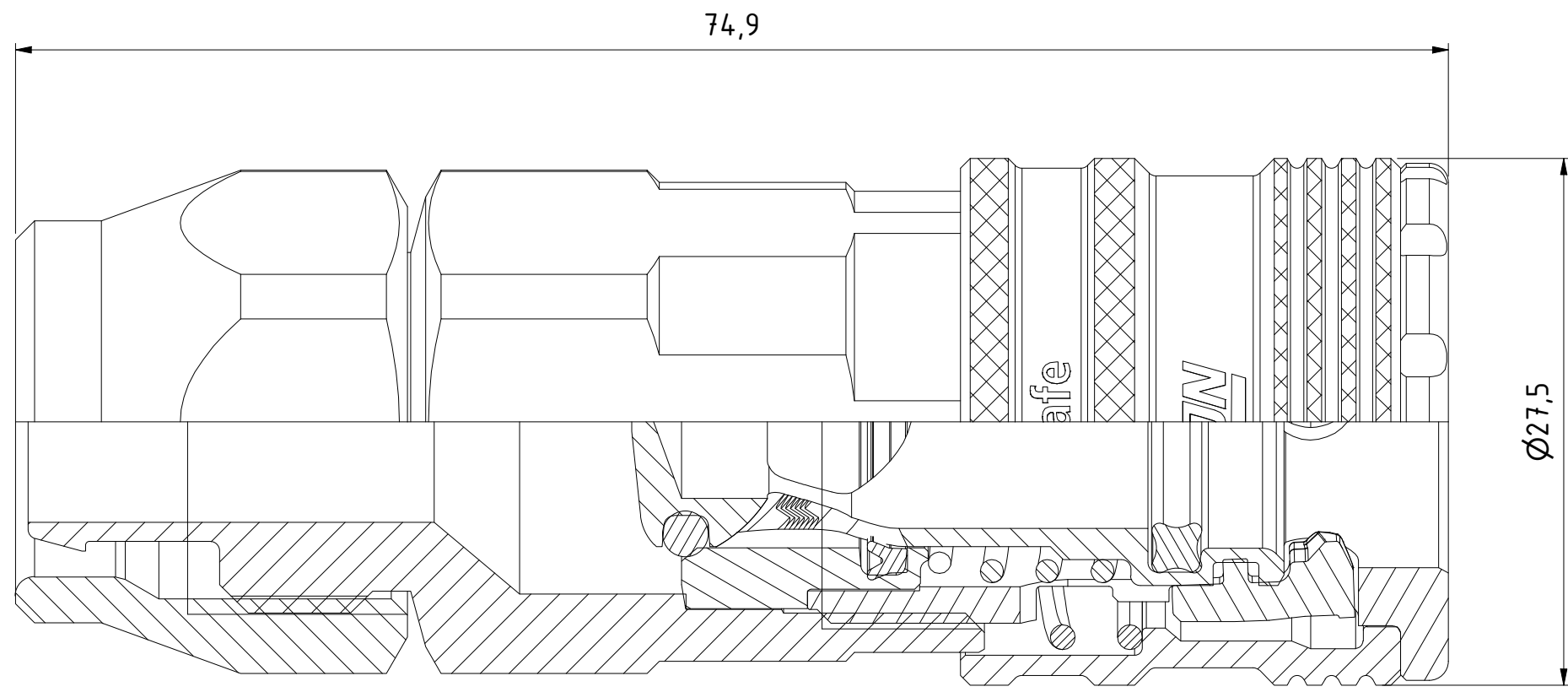


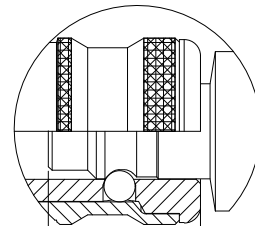
CAD system: Inventor
 All rights reserved
 This document must not be copied, either completely or in part, without permission. Any infringement will have legal consequences ©



1 : 1



12	1	Valve	Aluminum Lead Free
11	1	Valve seat	Aluminum Lead Free
10	1	Spring	Stainless Steel
9	1	Spring	Stainless Steel
8	1	Lip seal	NBR
7	1	Quad-Ring	NBR
6	1	O-ring	NBR
5	1	Locking sleeve	Hard. Steel, Zn 8 silver
4	3	Hook	Hard. Steel, Zn-Ni 8 transp.
3	1	Front part	Hard. Steel Zn 8 Silver
2	1	Swivel nut 11x16	Steel, Zn 8 Silver
1	1	Back part 11x16	Steel, Zn 8 Silver



Connection stroke

Product No.	104102066
Nominal flow \varnothing DN:	10,4 mm
Connection Stroke:	18,9 mm
Max WP Connected:	12 bar w. CEJN braided PUR hose
Min BP Connected:	48 bar w. CEJN braided PUR hose
Temperature range:	-20°C - +100°C
Connection:	Stream-Line 11x16
Sealing material:	NBR
Hexagon:	24 (2x)

Item	Qty	Description	Material
State		Production	Drawn CABLIJA
Checked		ALAL	Approved OSJO
Date		2025-02-04	
ECO		002136	Former No.
Drawing No.		104102066	
Issue		E	Scale 3 : 1
Sheet		1 / (1)	

