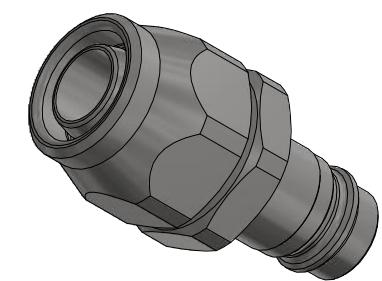
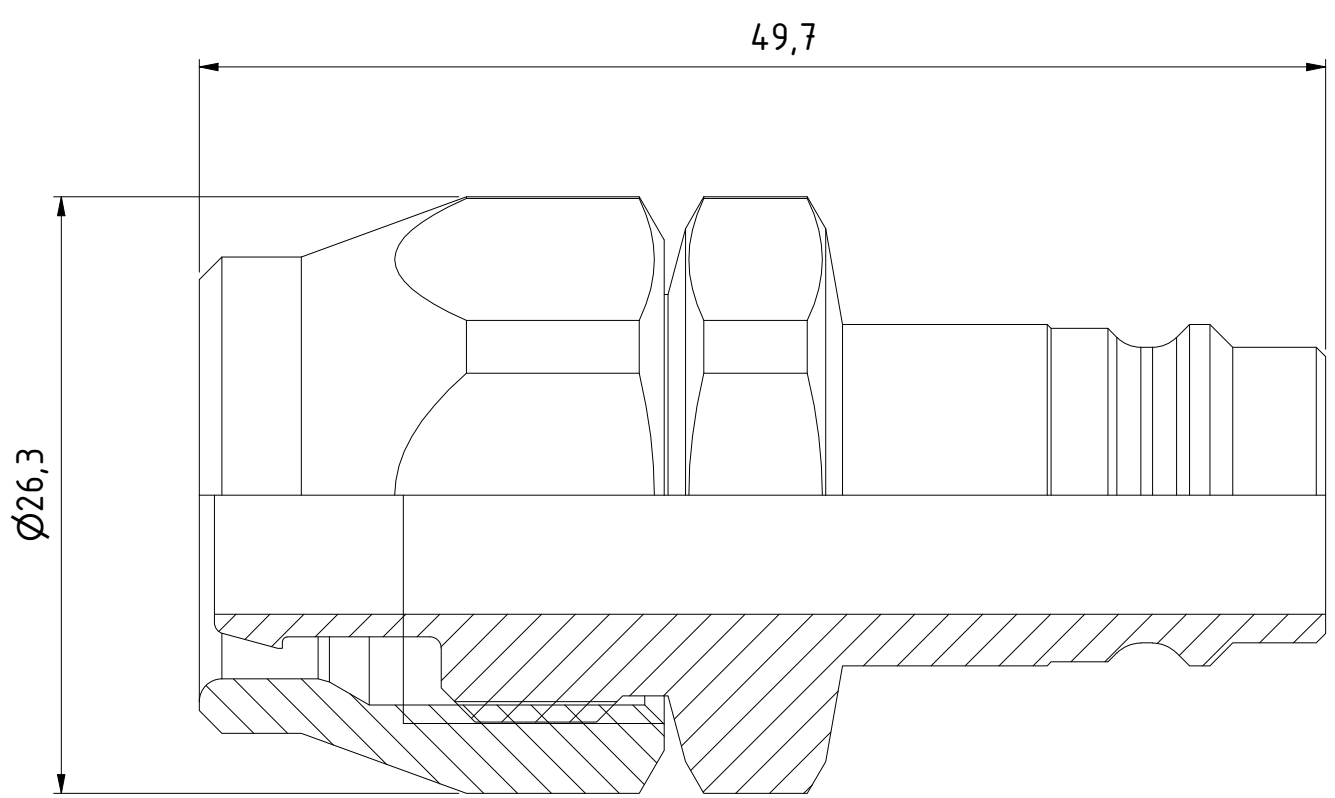



This document must not be copied, either completely or in part, without permission. Any infringement will have legal consequences ©



1 : 1



Product No.	104105066
Nominal flow $\varnothing$ DN:	10,5 mm
Connection Stroke:	mm
Max WP Connected:	12 bar w. CEJN braided PUR hose
Min BP Connected:	48 bar w. CEJN braided PUR hose
Temperature range:	-20°C - +100°C
Connection:	Stream-line 11x16
Sealing material:	NBR
Hexagon:	24 (2x)

2	1	Swivel nut 11x16	Steel, Zn 8 Silver
1	1	Nipple body 11x16	Hard. Steel, Zn 8 silver
Item	Qty	Description	Material
		Scale: 3 : 1	Drawn: CABANLA
		Checked: JOTU	Appr.: JOOL
		ECO: 12833	Date: 2020-03-16
			Drawing No. 504105066
<b>Assembly Drawing</b>			Issue: AC Sheet: 1 / (1)

