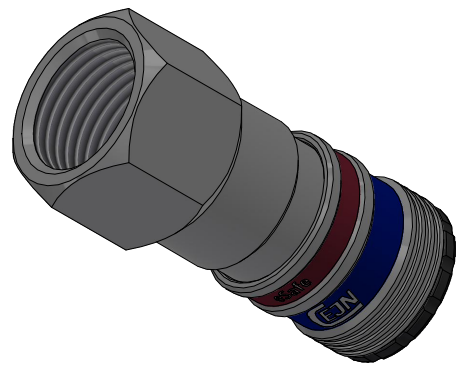
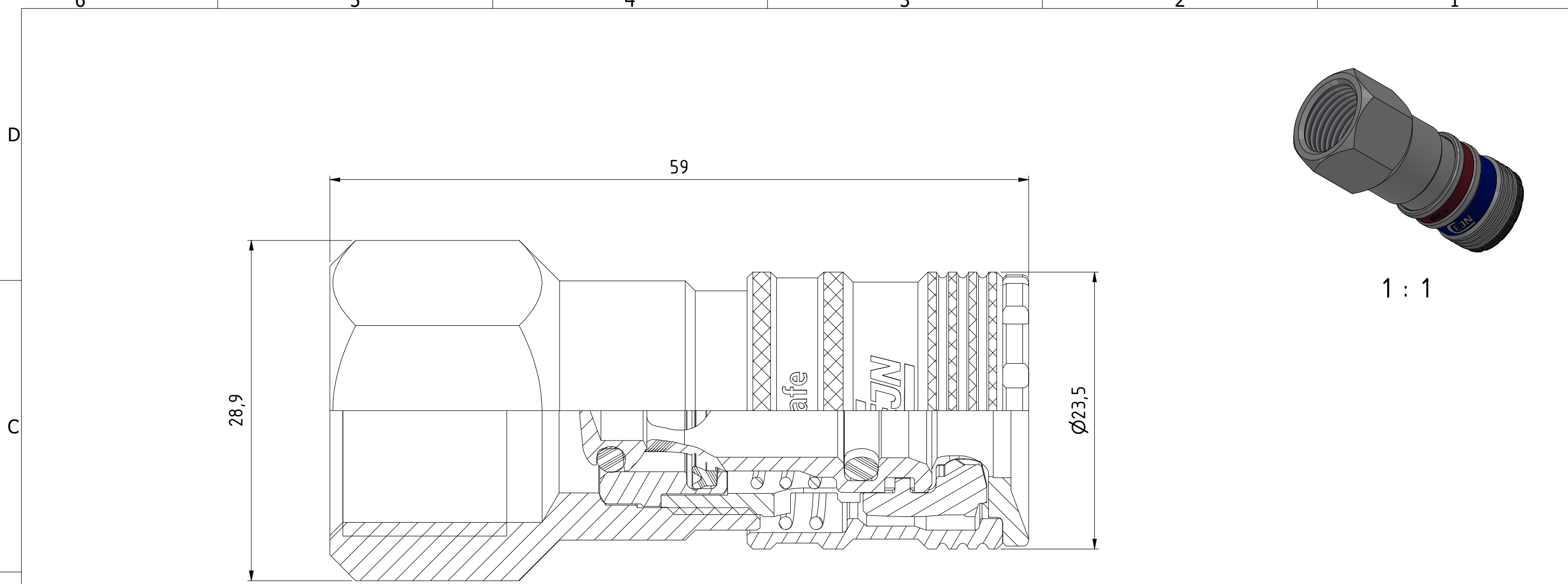


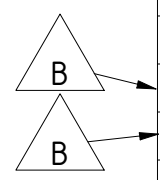
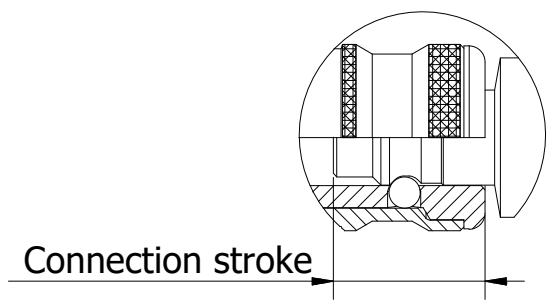
This document must not be copied, either completely or in part, without permission. Any infringement will have legal consequences ©

A3



1 : 1

Product No.	103002205
Nominal flow Ø DN:	5,5 mm
Connection Stroke:	21,8 mm
Max WP Connected:	16 bar
Min BP Connected:	140 bar
Temperature range:	-20°C - +100°C
Connection:	G 1/2" female
Sealing material:	NBR
Hexagon:	25



Item	Qty	Description	Material
11	1	Spring	Stainless steel
10	1	Locking sleeve	Hard. steel, Zn 8 Silver
9	2	Hook	Hard. Steel, Zn-Ni 8 transp.
8	1	Valve	Aluminium Lead Free
7	1	Valve seat	Aluminium Lead Free
6	1	Spring	Stainless steel
5	1	O-ring	NBR
4	1	O-ring	NBR
3	1	Lip seal	NBR
2	1	Front part	Hard. Steel, Zn-Ni 10 black
1	1	Back part	Steel, Zn 8 Silver

State	Production	Drawn	CABLIJA	Checked	ALAL	Approved	OSJO	Date	2025-01-14
Coupling G 1/2" fem NBR - eSafe		ECO	002136	Former No.		Scale		3 : 1	
Drawing No.							Issue		Sheet
103002205							B		1 / (1)