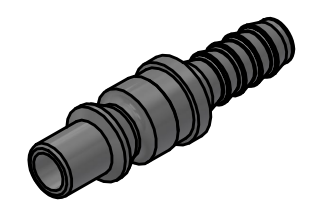
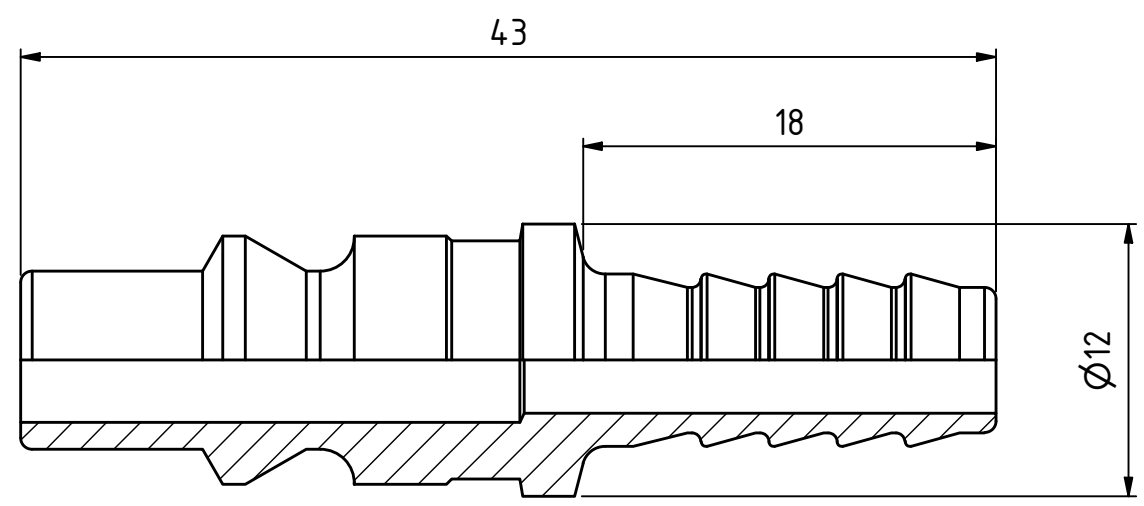



This document must not be copied, either completely or in part, without permission. Any infringement will have legal consequences ©



1 : 1

Product No.	103005002
Nominal flow Ø DN:	4,7 mm
Connection Stroke:	mm
Max WP Connected:	16 bar
Min BP Connected:	140 bar
Temperature range:	-20°C - +100°C
Connection:	Hose 1/4" 6,3mm
Sealing material:	
Hexagon:	

1	1	Nipple	Hard. Steel FeZn 8 P1	093006202
Item	Qty	Description	Material	Part Number
		Scale 3 : 1	Drawn CABLHE	Checked PGU
		Appr. JOOL	ECO 11760	Date 2017-07-07
			Drawing No. 103005002	Issue B
<b>Assembly Drawing</b>				Sheet 1 / (1)

