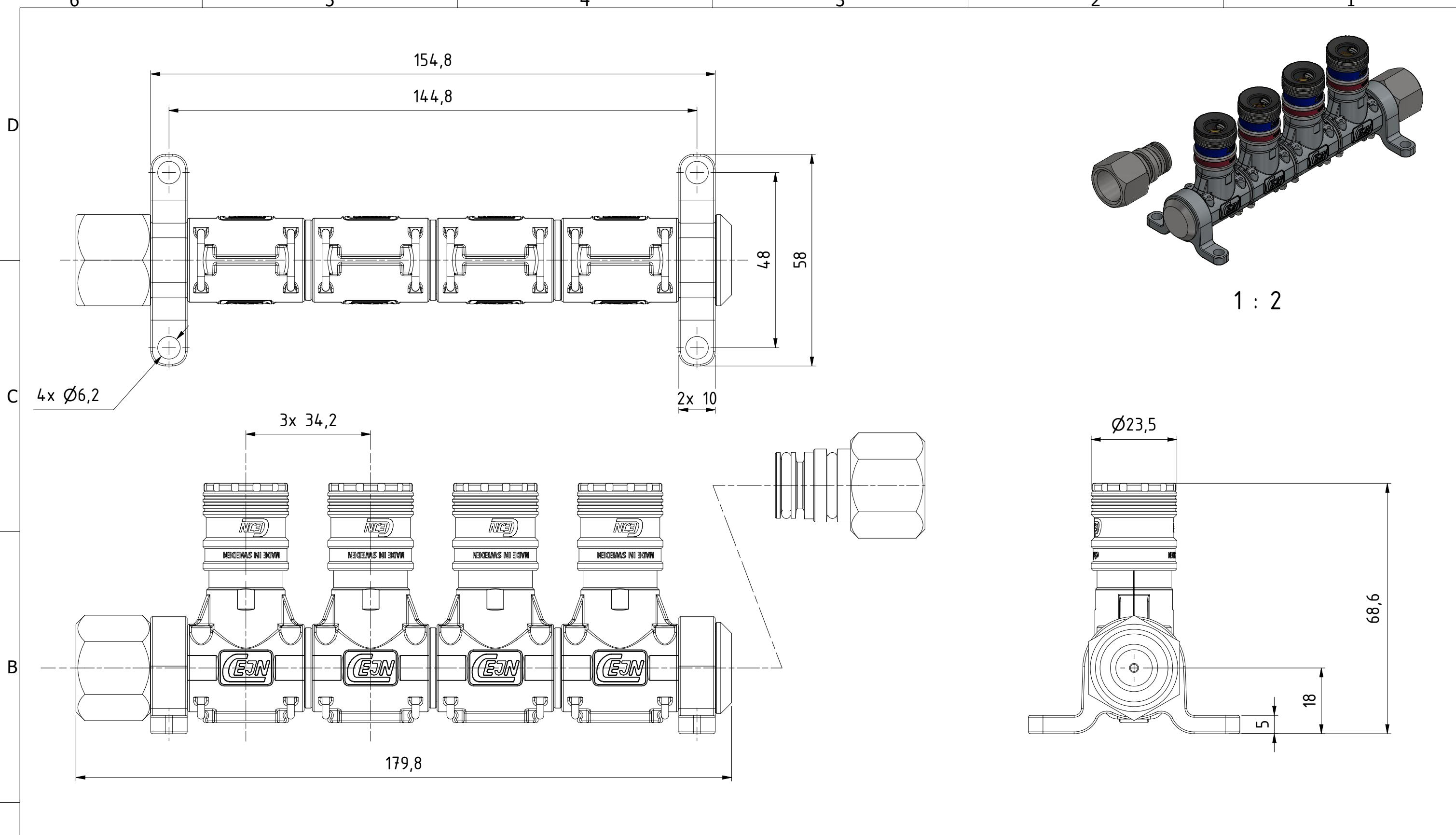
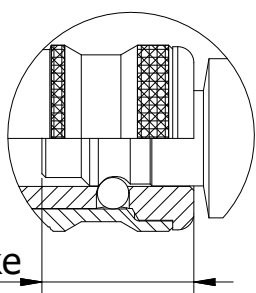


This document must not be copied, either completely or in part, without permission. Any infringement will have legal consequences ©



Product No.	199029004
Nominal flow Ø DN:	5,5 mm
Connection Stroke:	21,8 mm
Max WP Connected:	16 bar
Min BP Connected:	64 bar
Temperature range:	-20°C - 100°C
Connection:	G 1/2" fem
Sealing material:	NBR
Hexagon:	25



Connection stroke

	Scale	1 : 1	Drawn	MATJOH	Checked	ANLA	Appr.	JOOL	ECO	Date	2022-08-05
	Assembly Drawing 509029004								Issue	AB	Sheet

A3